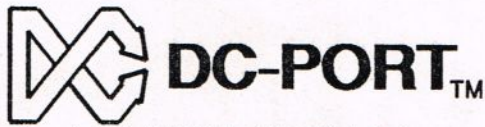


DC-PORT 2 DC-PORT 1 DC-PORT 0 To ST



Copyright (c) 1989 Double Click Software

Warranty void if case is opened

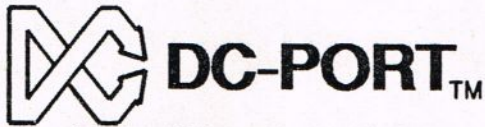
DC-PORT 2 DC-PORT 1 DC-PORT 0 To ST



Copyright (c) 1989 Double Click Software

Warranty void if case is opened

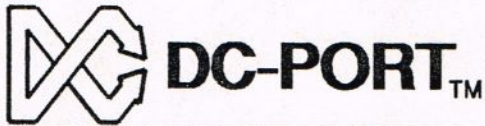
DC-PORT 2 DC-PORT 1 DC-PORT 0 To ST



Copyright (c) 1989 Double Click Software

Warranty void if case is opened

DC-PORT 2 DC-PORT 1 DC-PORT 0 To ST



Copyright (c) 1989 Double Click Software

Warranty void if case is opened

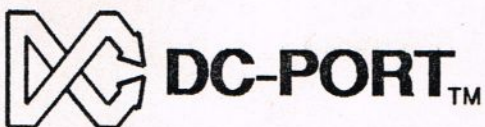
DC-PORT 2 DC-PORT 1 DC-PORT 0 To ST



Copyright (c) 1989 Double Click Software

Warranty void if case is opened

DC-PORT 2 DC-PORT 1 DC-PORT 0 To ST



Copyright (c) 1989 Double Click Software

Warranty void if case is opened

DC-PORT 2 DC-PORT 1 DC-PORT 0 To ST



Copyright (c) 1989 Double Click Software

Warranty void if case is opened

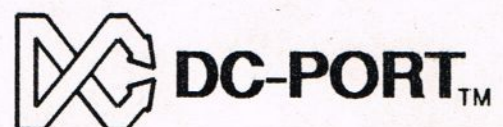
DC-PORT 2 DC-PORT 1 DC-PORT 0 To ST



Copyright (c) 1989 Double Click Software

Warranty void if case is opened

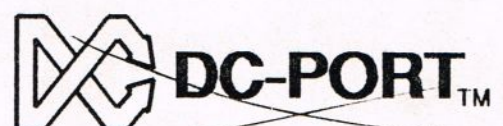
DC-PORT 2 DC-PORT 1 DC-PORT 0 To ST



Copyright (c) 1989 Double Click Software

Warranty void if case is opened

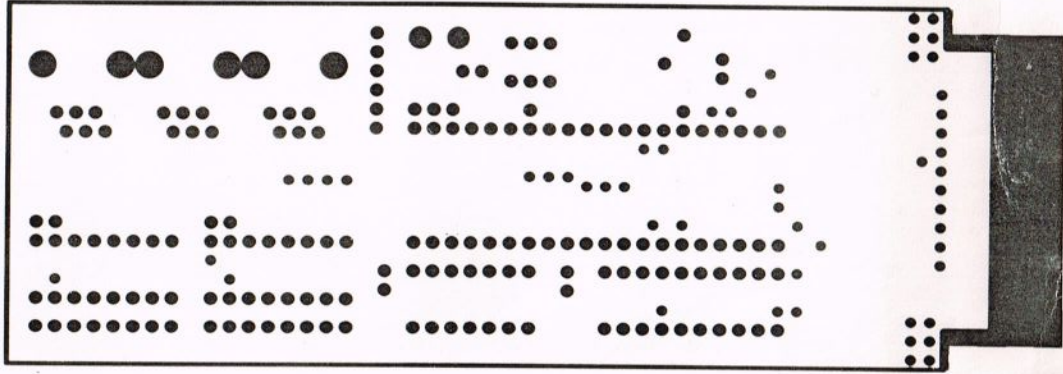
DC-PORT 2 DC-PORT 1 DC-PORT 0 To ST



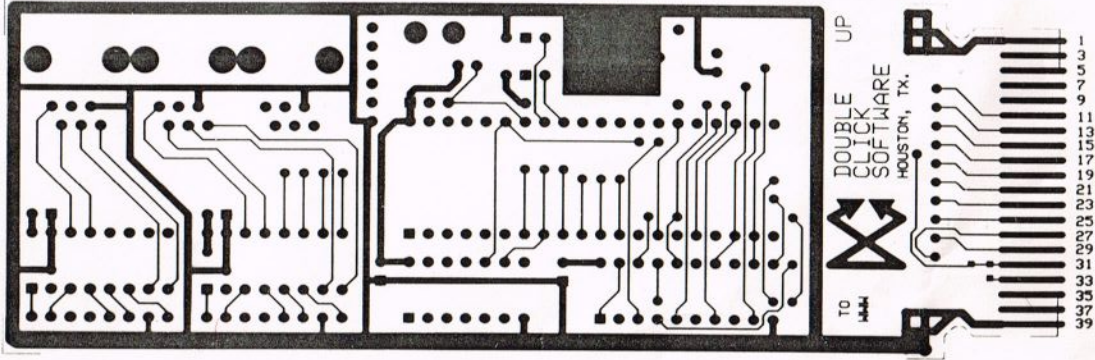
Copyright (c) 1989 Double Click Software

Warranty void if case is opened

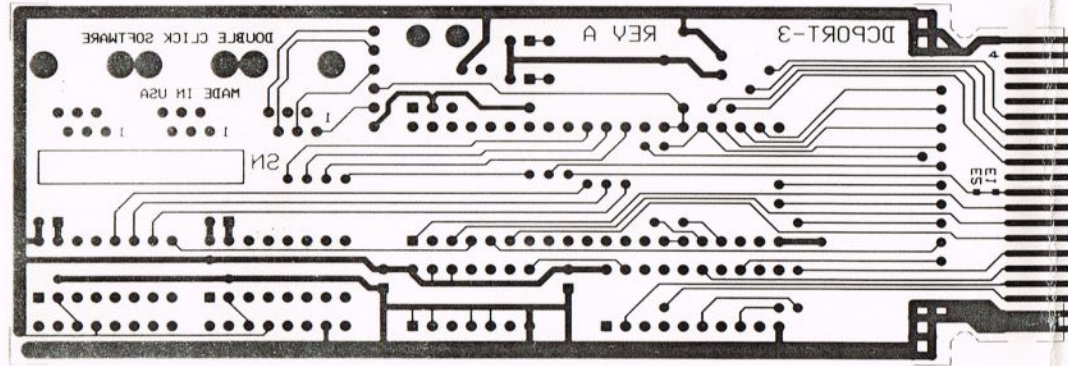




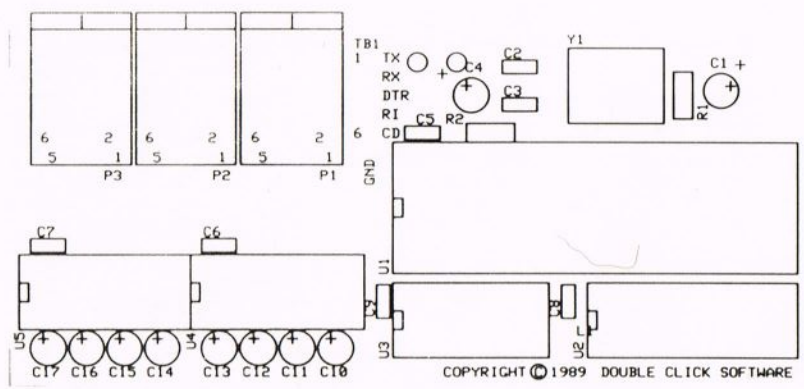
GC139A01.\* SOLDER MASK



GC139A01.\* COMP LAYER



GC139A01.\* S0LD LAYER



COPYRIGHT © 1989 DOUBLE CLICK SOFTWARE

2-16-89  
GC9139 V1.0

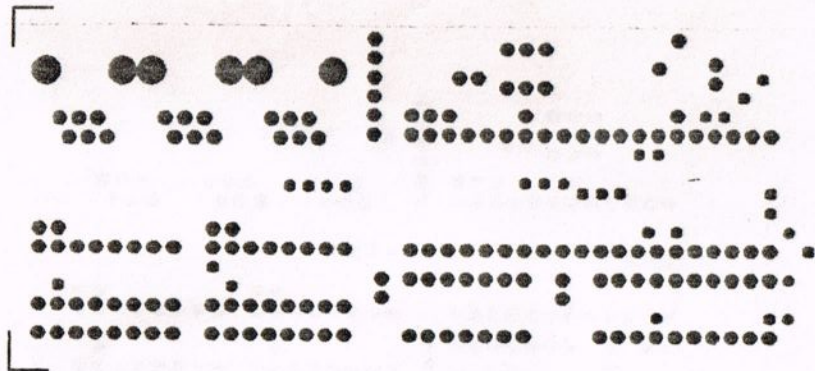
DOUBLE  
CLICK  
SOFTWARE  
HOUSTON, TX.

DCPORT-3 REV A

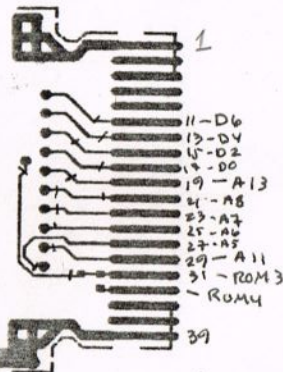
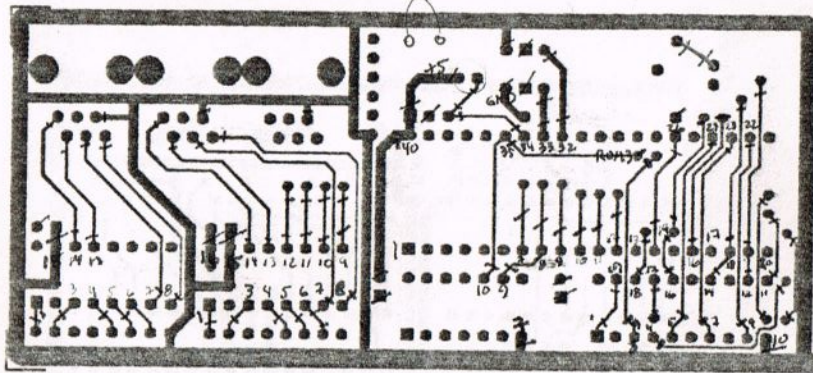
E4  
E5  
J1 1

MODULE DESIGNERS, INC.  
(713) 862-2385

GC139A01.\* COMP PRINT



STRAIN RELIEF?



- 1 +5
- 2 +5
- 3 -D14
- 4 -D15
- 5 -D12
- 6 D13
- 7 D10
- 8 D11
- 9 D8
- 10 D9
- 11 D6
- 12 D7
- 13 D4
- 14 D5
- 15 D2
- 16 D3
- 17 D0
- 18 D1
- 19 A13
- 20 A15

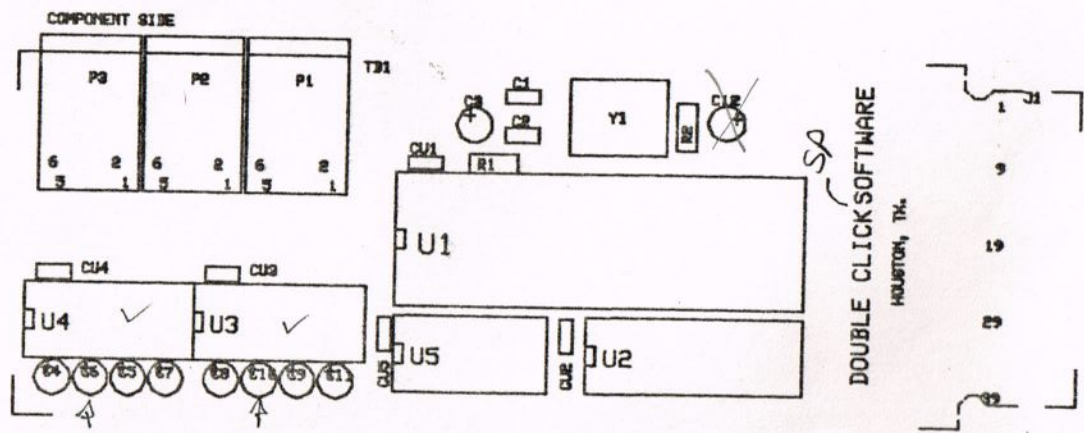
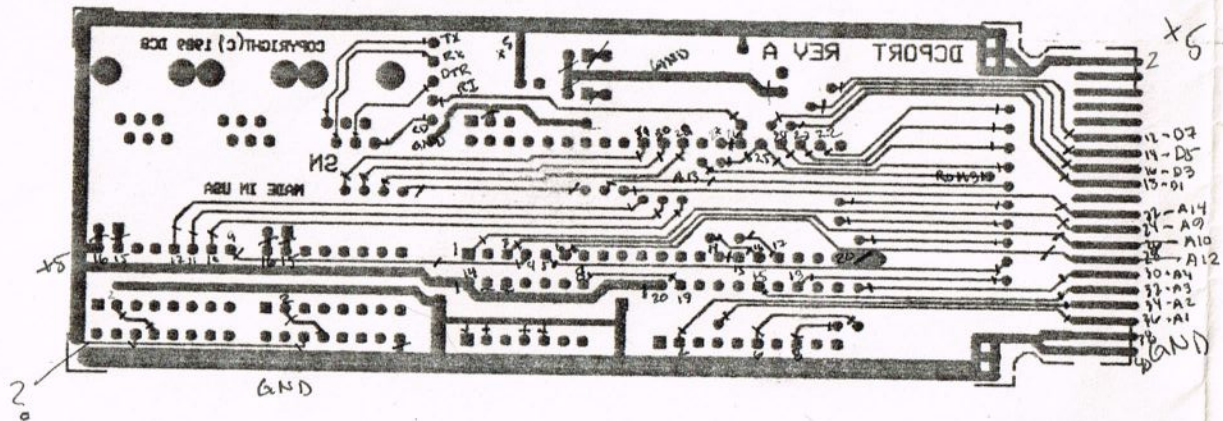
- 21 A8
- 22 A14
- 23 A7
- 24 A9
- 25 A6
- 26 A10
- 27 A5
- 28 A12
- 29 A11
- 30 A4
- 31 ROM3
- 32 A3
- 33 ROM
- 34 A2
- 35 UDS
- 36 A1
- 37 LDS
- 38
- 39 } GND
- 40 }

MAX232 - 9's SWITCHED

74LS32 - 8's - 244 - 19? 1?

MAX232 - 3 to +5?

2681 - 16 + 24



PCB FABRICATION NOTES: (UNLESS OTHERWISE SPECIFIED)

1. This PCB shall conform to IPC-A-600 Standards, latest revision.
2. The conductor pattern shall be etched using master No. DCPORT-3, Rev A, Dated 2/16/89.
3. The board to be configured per Drawing No. GC9139, Rev. V1.0.
4. Material to be green, FR4, .062 inches thick, 1 ounce copper clad two sides.
5. All holes to be plated through with .0010 Min to .0015 Max copper, then tin lead plate (60-40) .0003 Min to .0007 Max. inch.
6. Gold Plating, where specified, shall be .000030 Min. gold applied over a low stress nickel base of .000010 inch Min.
7. Minimum conduction width loss to be 20%.
8. Maximum warp or twist of finished board shall be .010 inch/inch.
9. Front to back misregistration to be .007 inch Max.
10. Set drill from \_\_\_\_\_ side.
11. Solder Mask Color Green, 2 side/s.
12. Silk Screen Color White, 1 side/s.
13. Tolerances: x.xx + 020, - 020.  
x.xxx + 010, -010.
14. Total number of holes is approximately 231.
15. Total number of drill sizes is 3.

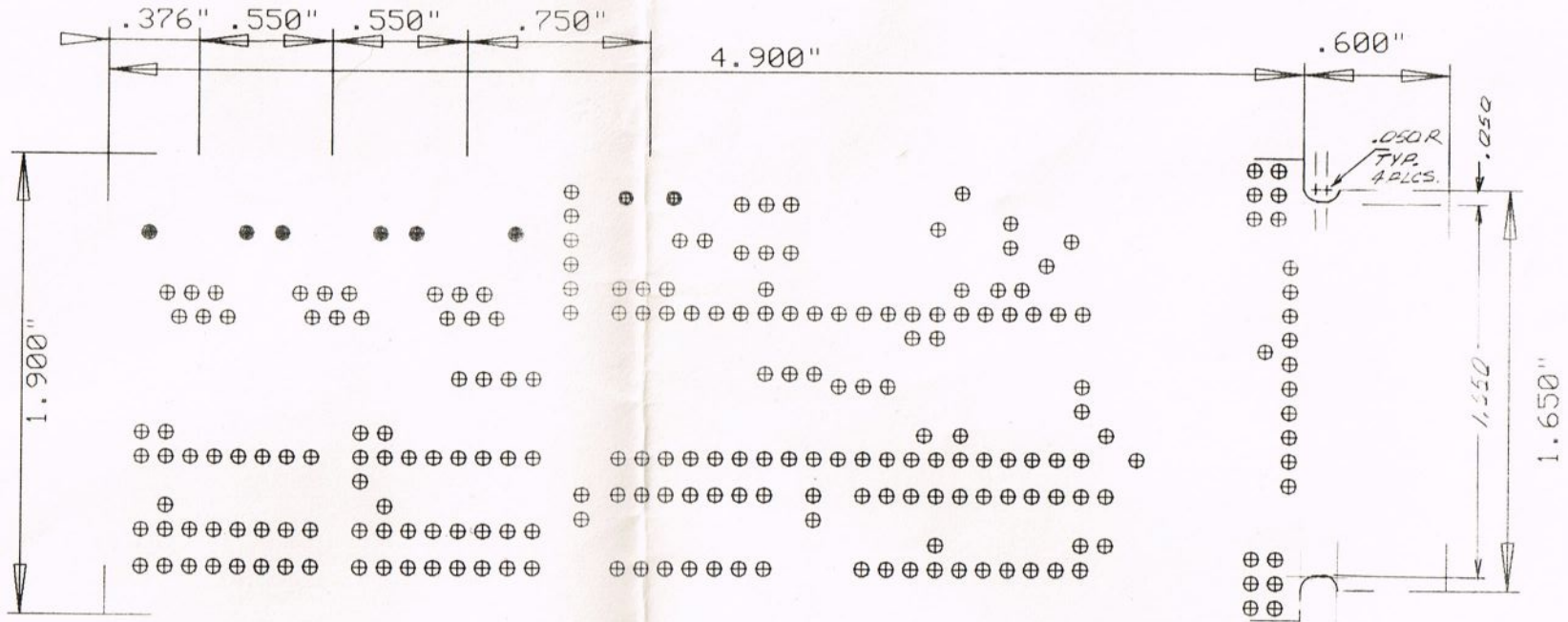
CO. NAME DOUBLE CLICK SOFTWARE.  
TITLE DCPORT-3  
PREP BY JAY/MDI DATE 2-20-89  
DWG NO. GC9139 REV 1.0 SH 1/2

(FABNTS.DBL)

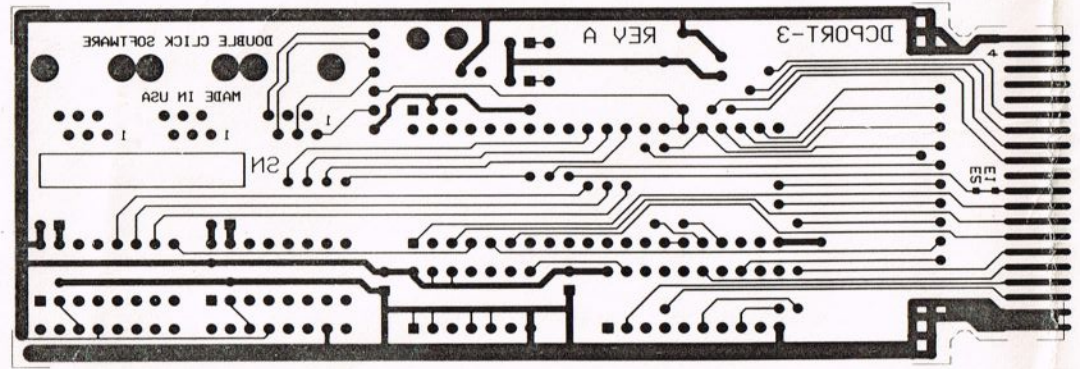
PATCH: 0

TOOL	∅ inch	COUNT
⊕ T01	.032	223
⊕ T02	.100	2
● T03	.125	6

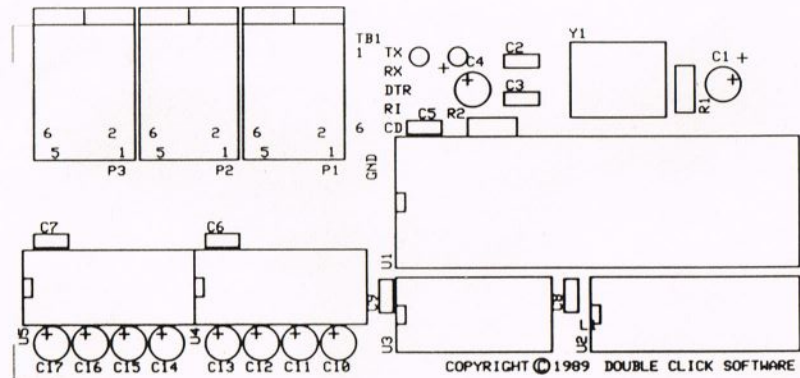
Total 231



BOARD: GC139A  
NUMBER OF HOLES 231  
PANEL SIZE X\*Yinch 8\* 4



GC139A01.\* S0LD LAYER



COPYRIGHT © 1989 DOUBLE CLICK SOFTWARE

2-16-89  
GC9139 V1.0

DOUBLE CLICK  
SOFTWARE  
HOUSTON, TX.

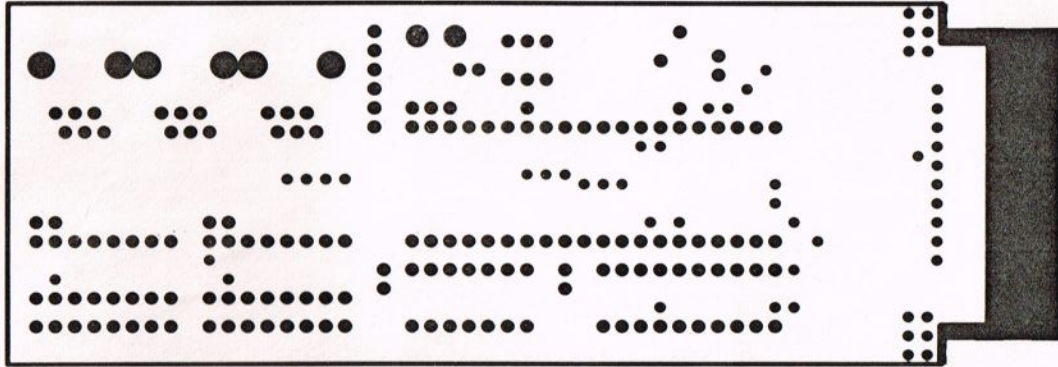
DCPORT-3 REV A

J1 1  
E4  
E5 E3

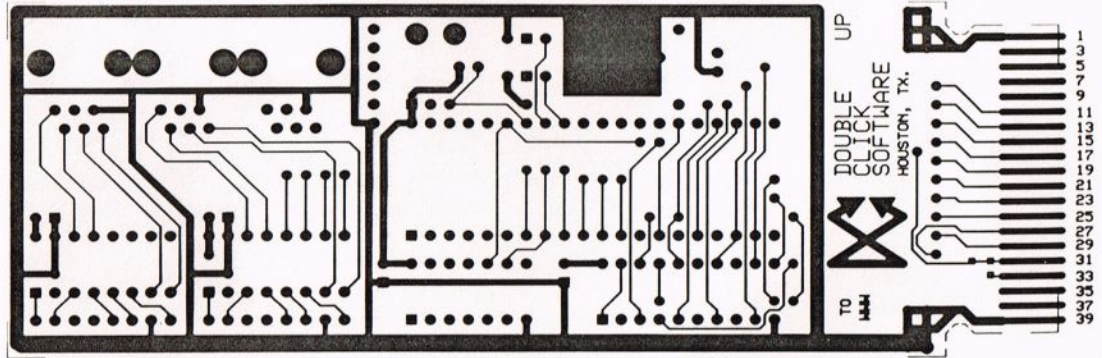
MODULE DESIGNERS, INC.  
(713) 862-2385

GC139A01.\* COMP PRINT

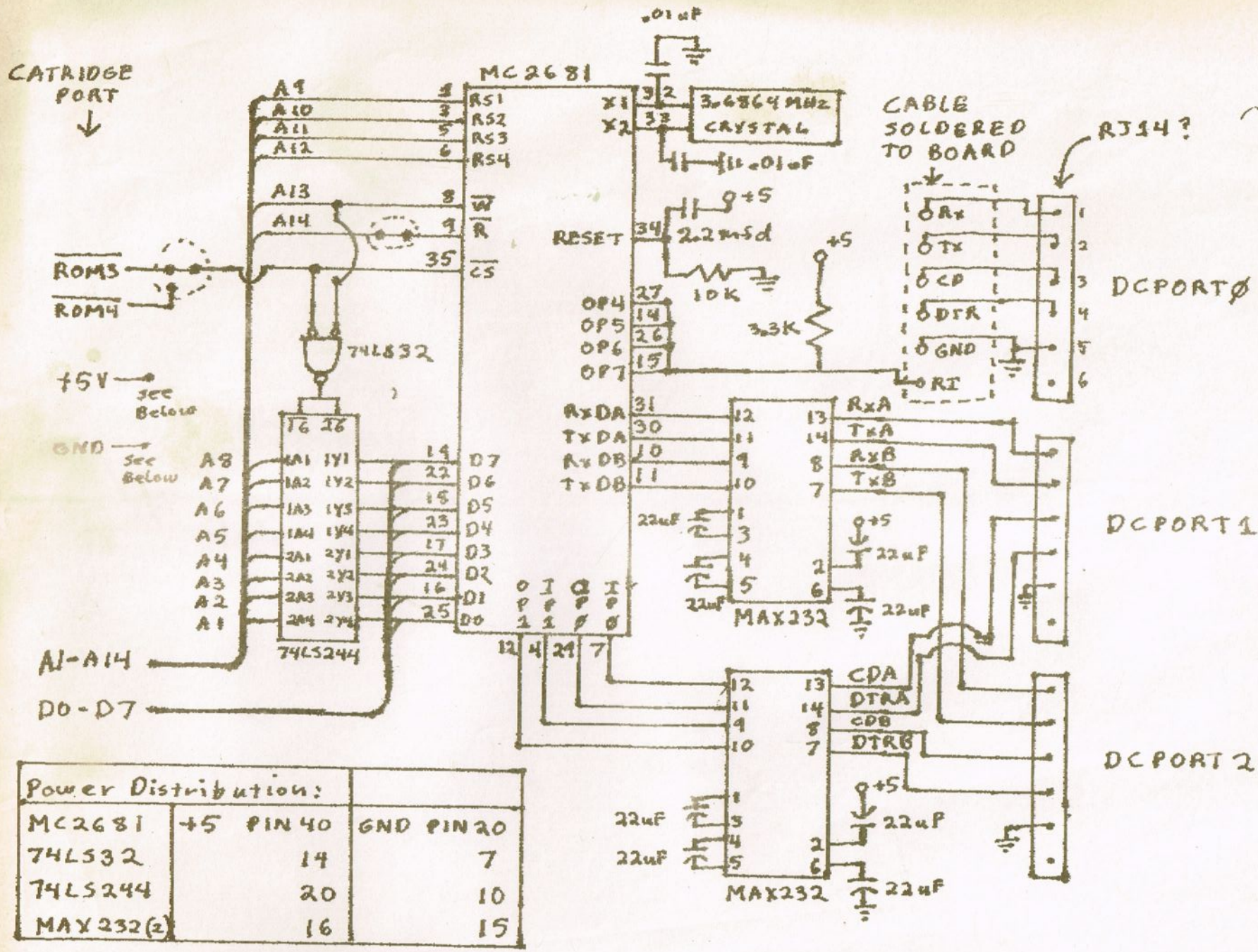




CC139A01.\* SOLDER MASK



CC139A01.\* COMP LAYER

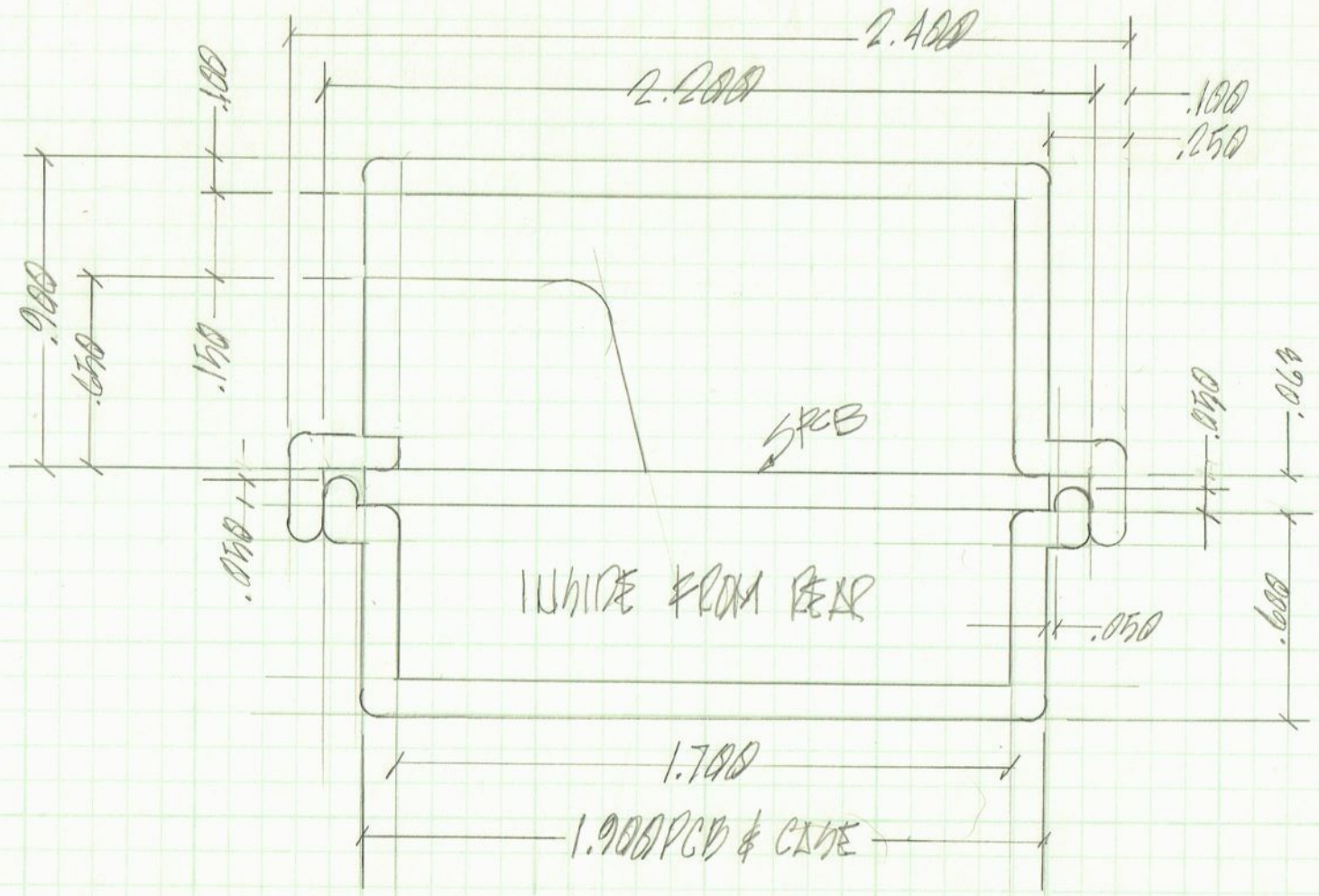


Power Distribution:

MC2681	+5	PIN 40	GND	PIN 20
74LS32		14		7
74LS244		20		10
MAX232(2)		16		15

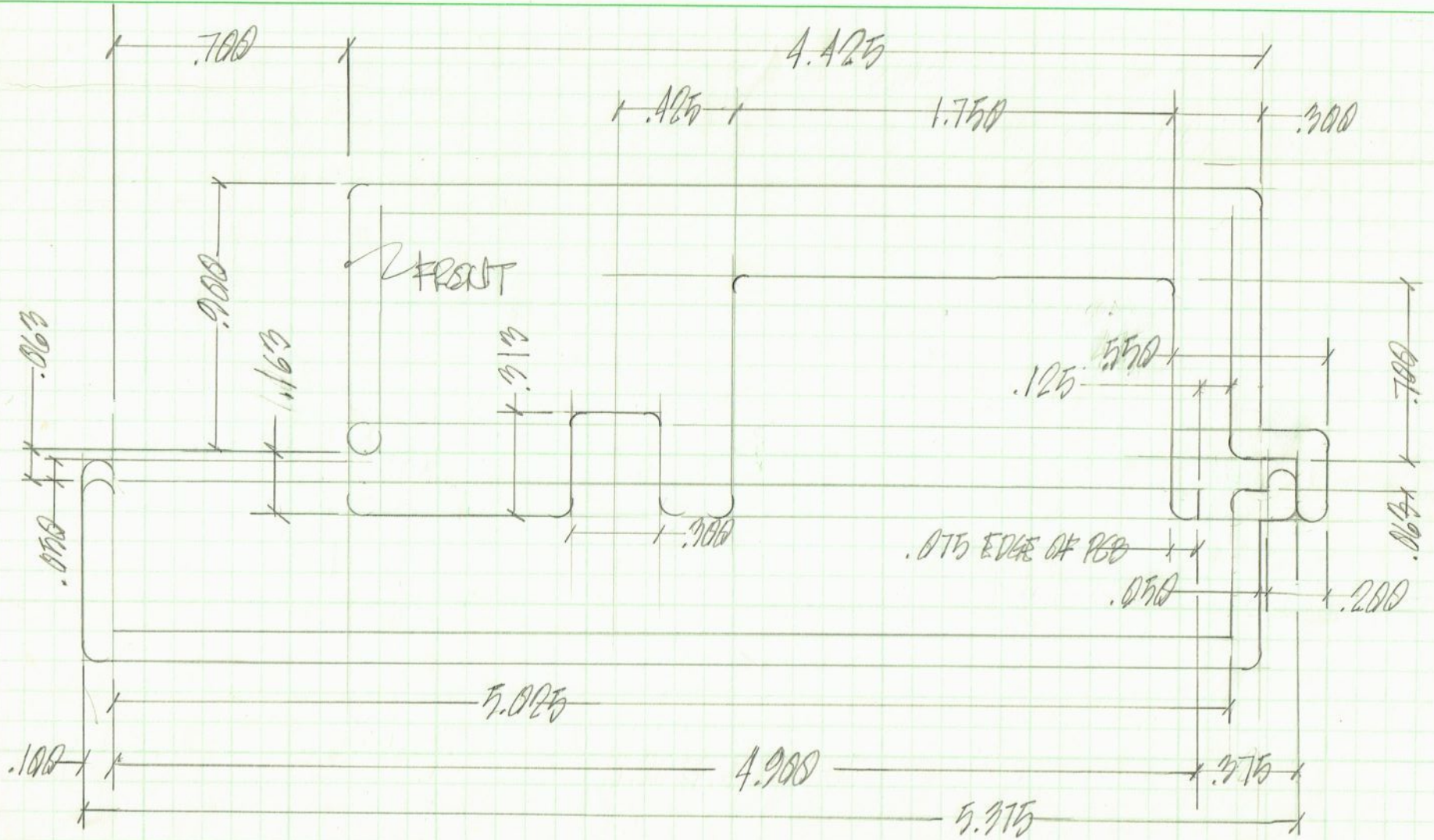
1. Add 0.01 uF bypass caps across all IC's.
2. Make Crystal leads and 0.01 caps as short as possible.
3. Note cuttable pads near pins 9 and 35 of MC2681.

DC PORT  
REV 1  
1-25-89 GRC

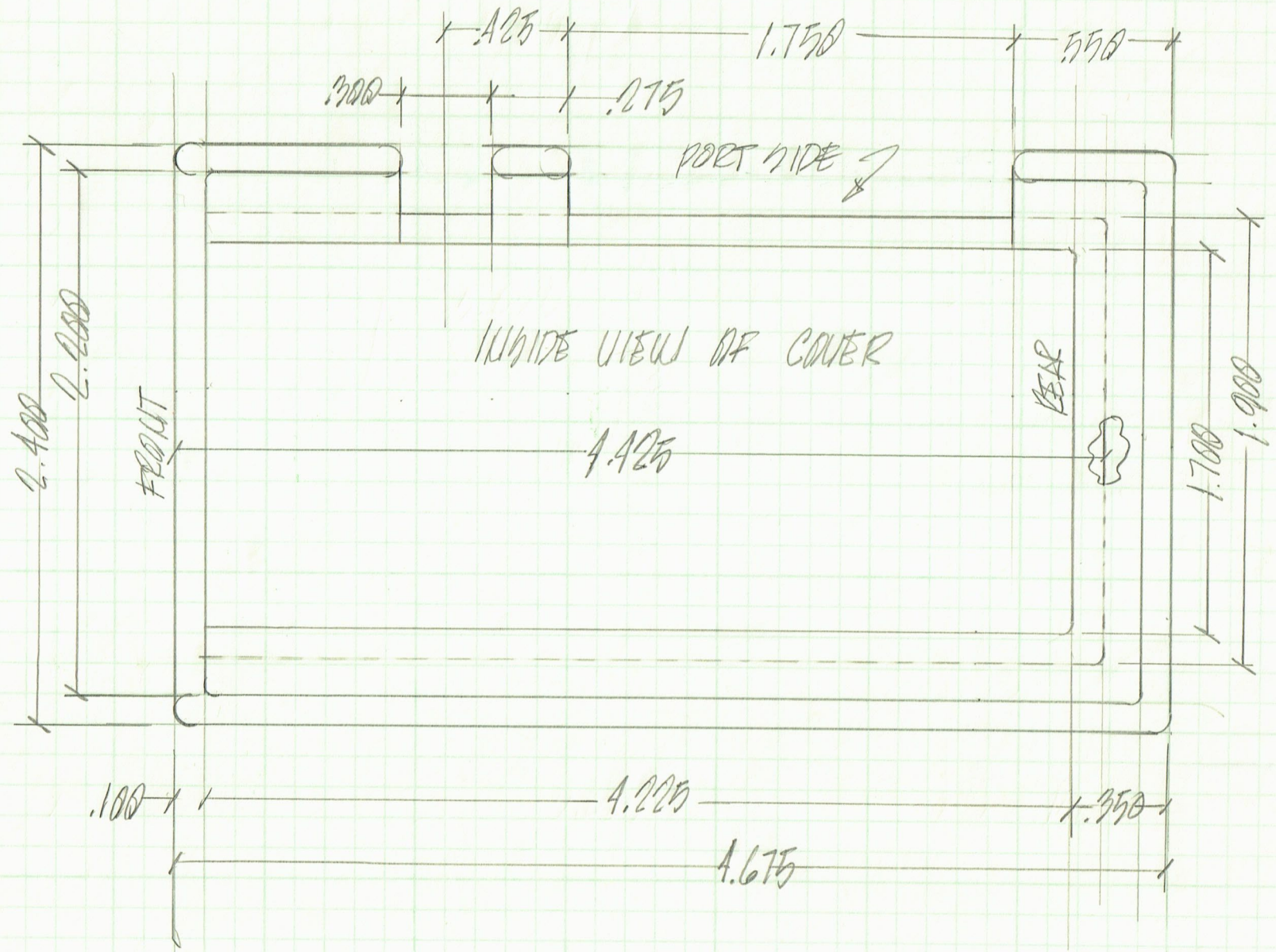


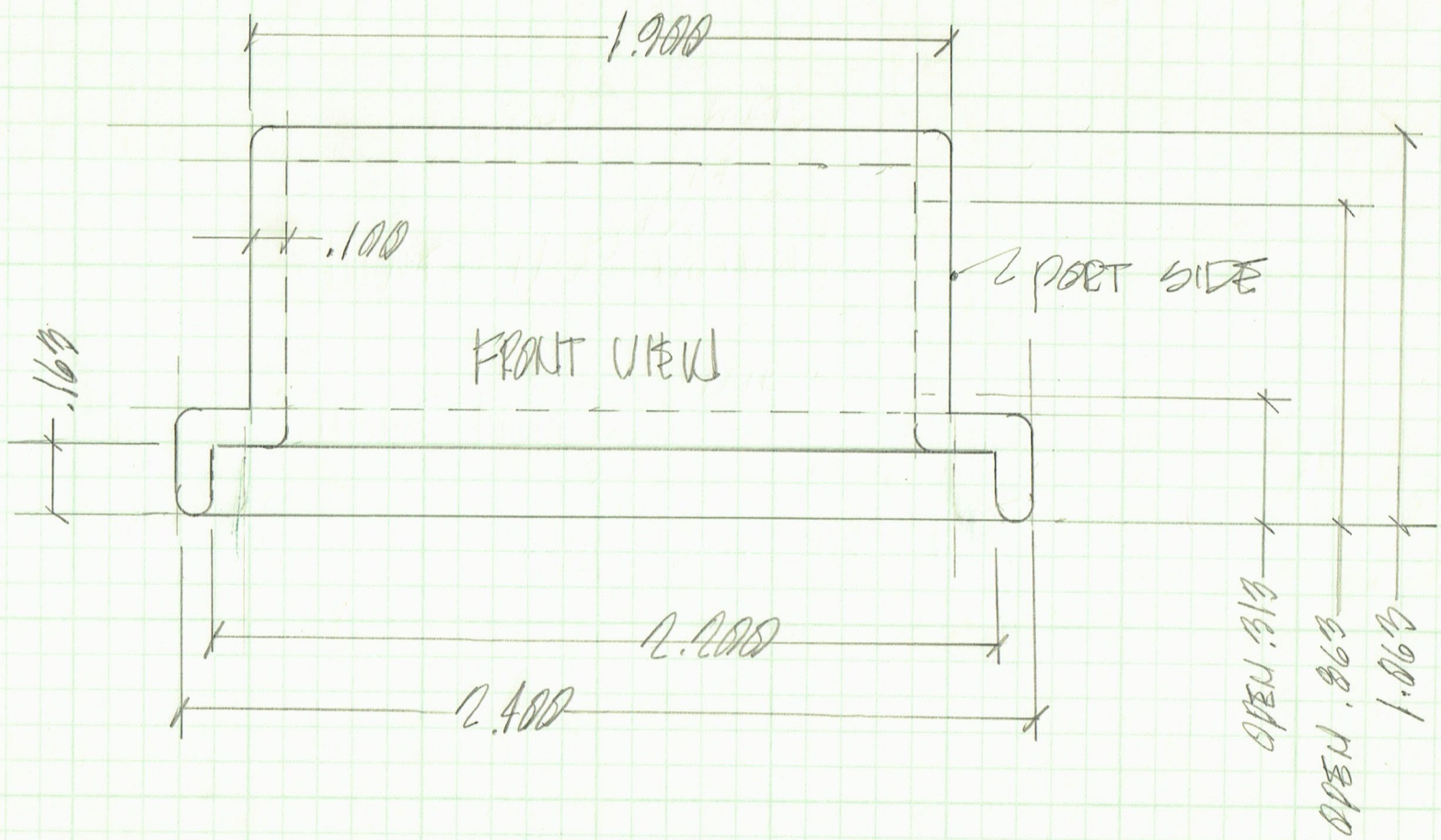
2.015  
 9400 in relay #  
 200 504/70

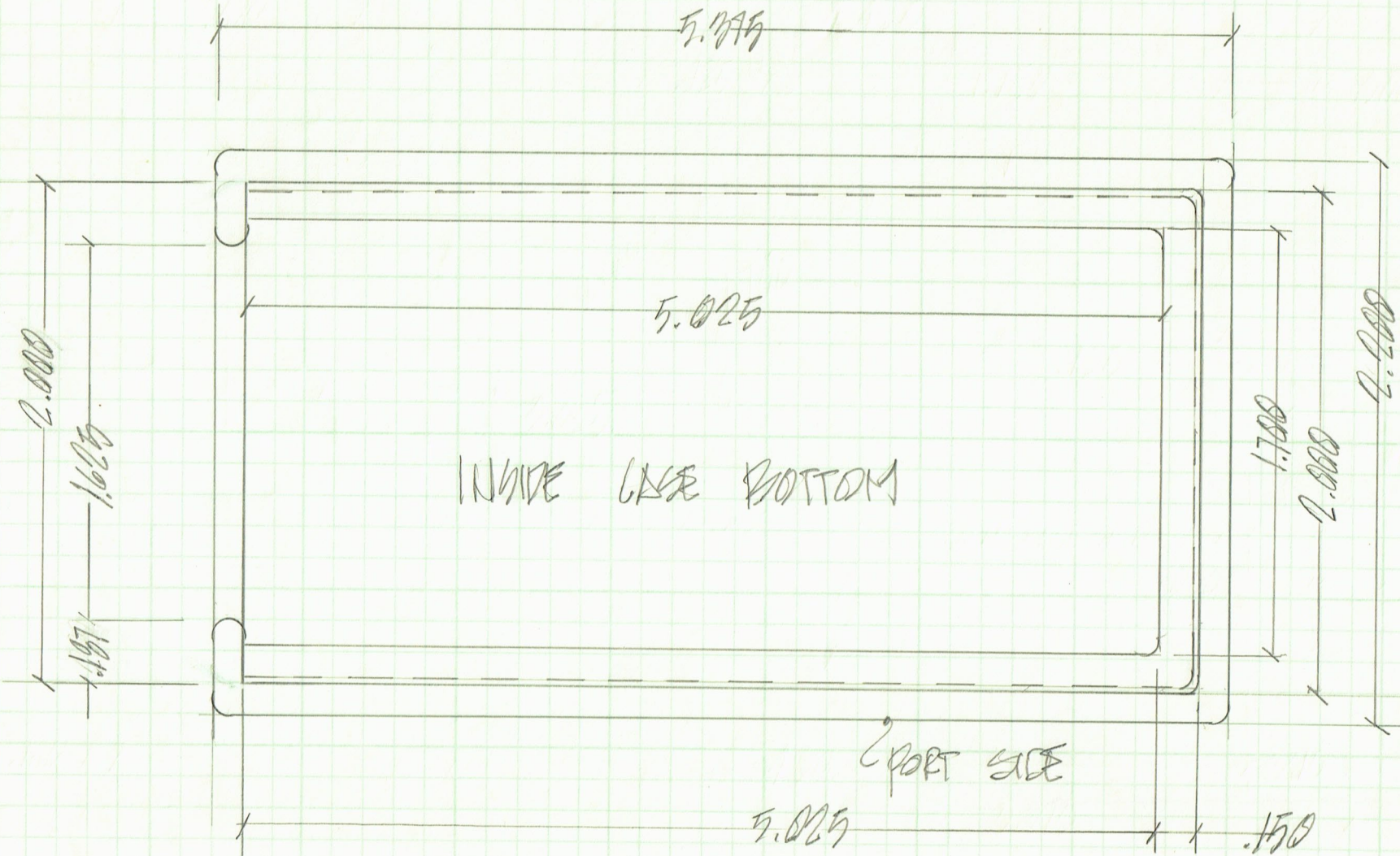
525 # Alum  
 4.70 4 Wks



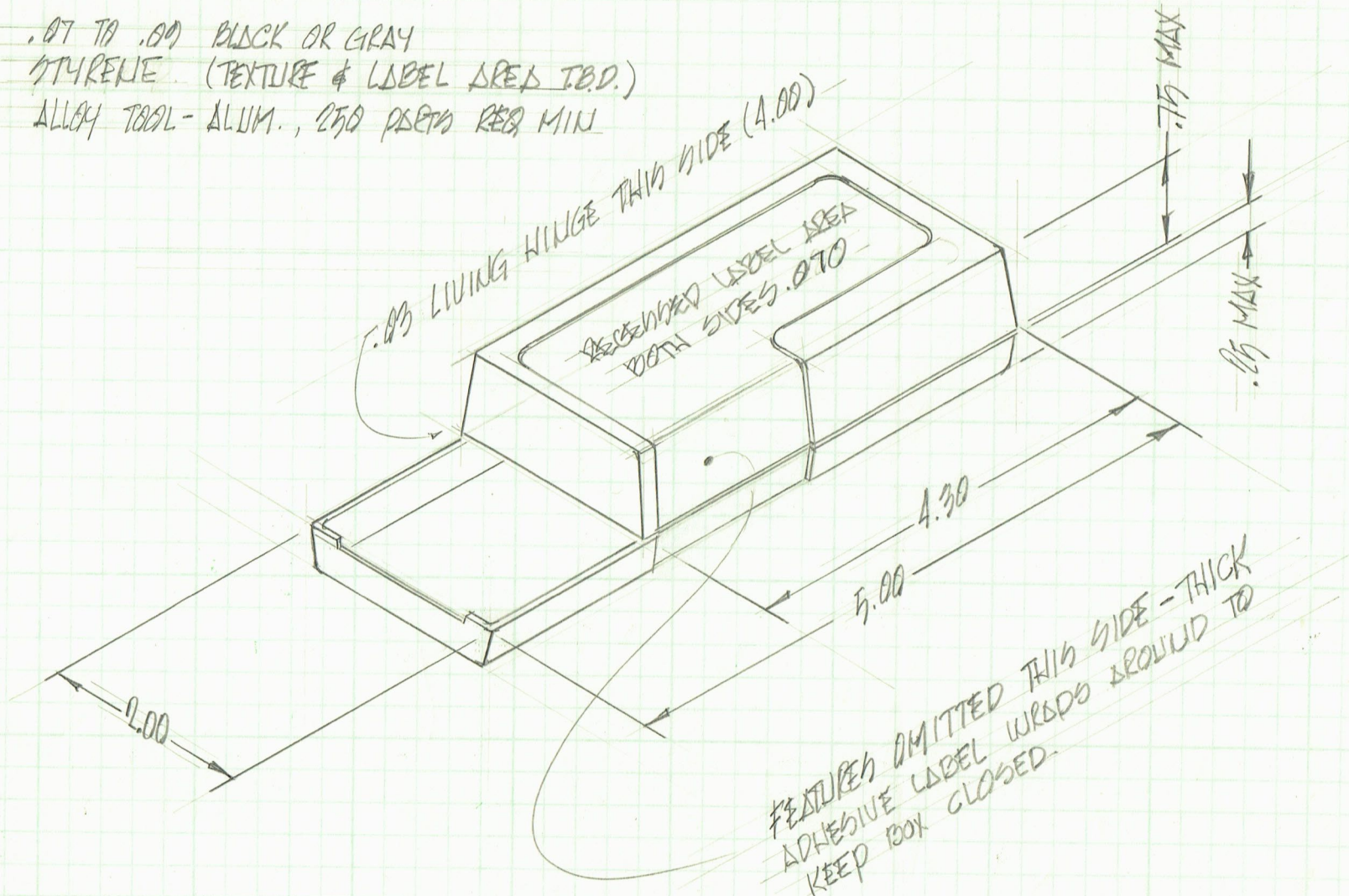
PORT SIDE VIEW



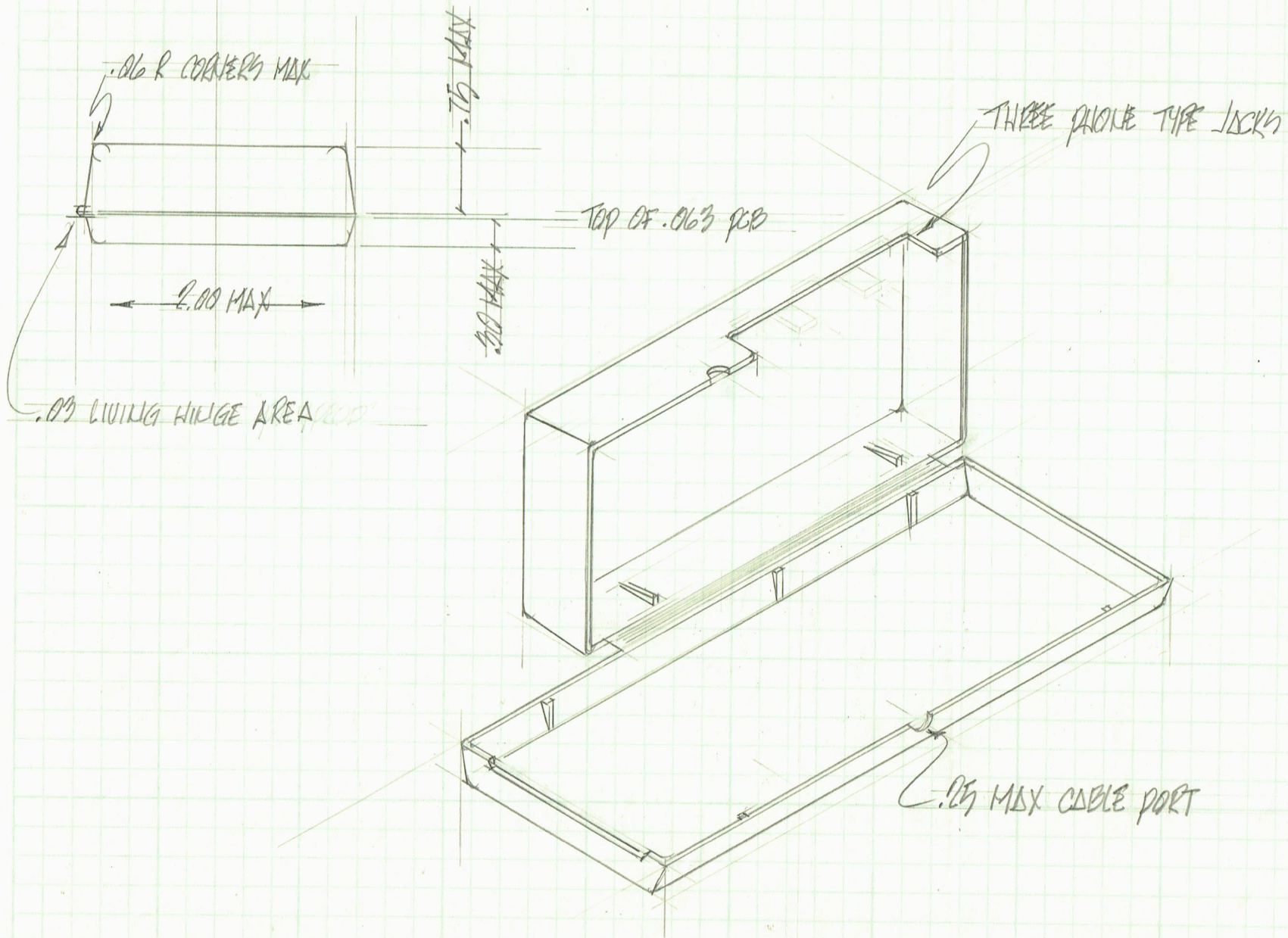




- .07 TO .09 BLACK OR GRAY
- STYRENE (TEXTURE & LABEL AREA T.B.D.)
- ALLOY TOOL - ALUM., 250 PSETS REQ MIN





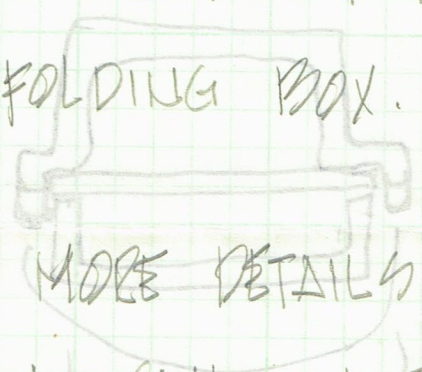


714-946-1385 / Jap  
E.J.K.

3.12.80

ERIC - B.M.I.

A FRIEND NEEDS A QUICK  
TURNAROUND FOR HIS SMALL  
JOB ON A ALUMINUM TOOL  
FOR HIS FOLDING BOX.



I HAVE MORE DETAILS SO  
GIVE ME A CALL IN TEXAS.

713-333-3737 PHONE

713-333-3087 FAX

PAUL WINDAGE - JONES